

Sink GK vintage

Kitchen Sinks

Code: 1402 080



DETAILS

Edge/Installation Type	Flush-mount Top-mount
Material	AISI 304 stainless steel
Texture	Vintage
Base	90 cm
Dimensions	860x480 mm
Standard fittings	Fixing hooks, gasket, drain, overflow and siphon, boxed packing
Mixer holes	2 standard holes
Built-in hole	View technical data sheet
Drainer	No

Width 86 cm

Bowl dimension 730x400 mm

Number of bowls 1 bowl

Waste fitting Drain with automatic control SPACE

FEATURES

VINTAGE The Vintage finish gives the product a long-lived and elegant look, creating a surface that does not fear scratches.

Double mixer hole The large tap counter is already fitted with a series of 2 tap holes. In the second hole it is possible to install the remote control of the automatic drain or, alternatively, a practical soap dispenser.

Diamond-shape bottom The draining of water is an important feature in a sink, and it's always taken good care of in Foster products. In the bent-welded sinks, which would have a flat bottom, the proper draining is guaranteed by the elegant beveling, which helps the water flow.

Inclined recess A deep and inclined recess houses the burners and grigs, allowing to create a single work surface. The inclination also makes it extremely easy to clean the edges.

High thickness 1mm thick steel. A significant thickness, which guarantees the maximum sturdiness and durability.

Automatic waste fitting The waste-fitting with round remote knob is supplied; a practical accessory which makes it unnecessary to get wet in order to drain the water from the bowl.

Space waste fitting The elegant SPACE steel cap closes the drain and leaves no visible residues collected in the basket below. Space also has a small footprint and allows the optimal use of the under-sink compartment.

Squared bowls - 0/9 radius The square bowls of Foster have perfectly squared vertical edges, while those on the bottom have a small radius of 9 mm that facilitates cleaning operations.

Save space system

Drain and siphon are designed to leave as much space as possible in the under-sink area, more and more useful today for theseparate waste collection systems.

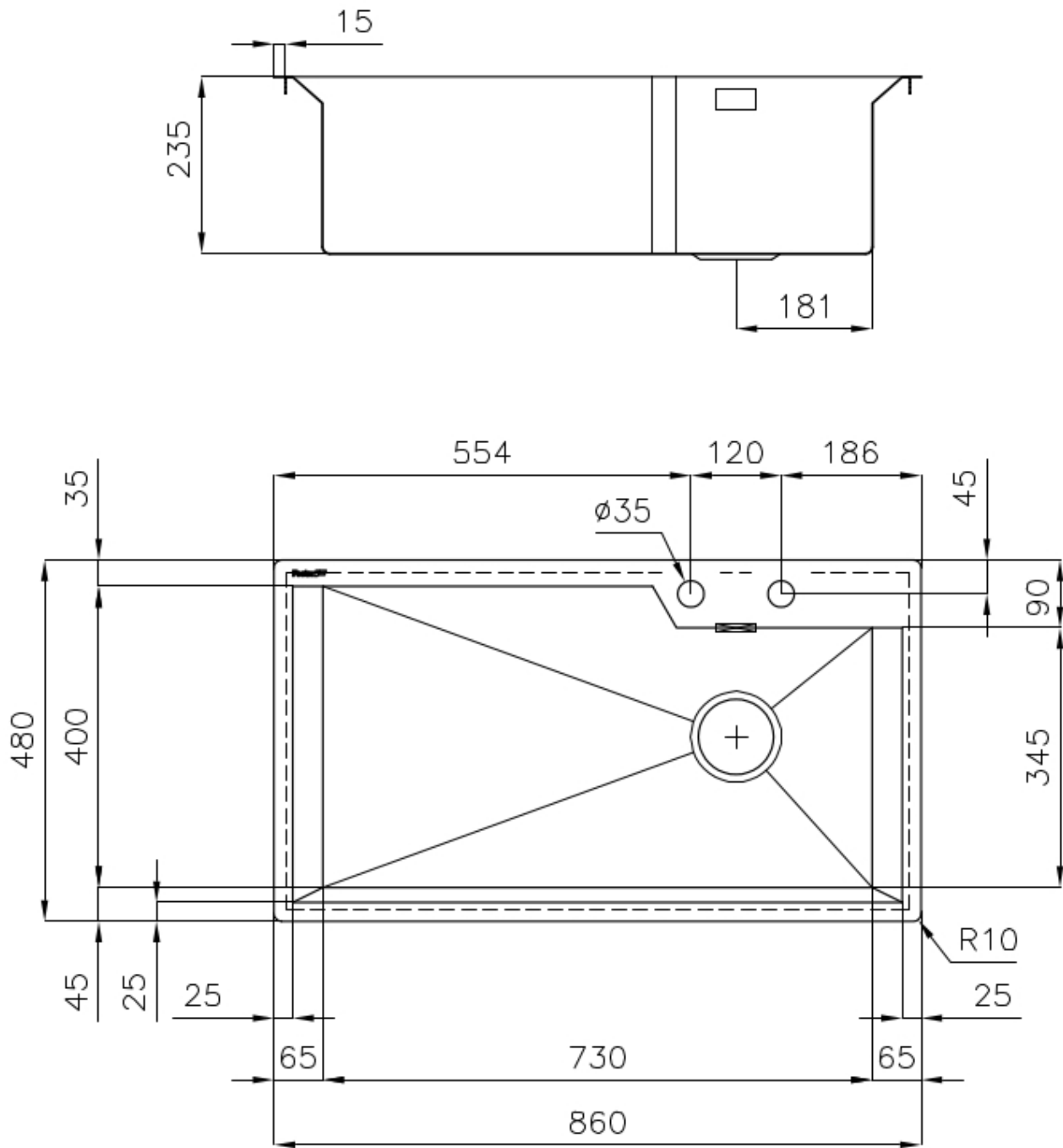
Perimetral overflow

The overflow is always a security on the Foster sinks that prevents the overflow of water in case of oversights. The perimeter drain solution improves aesthetics thanks to its square and essential shape.

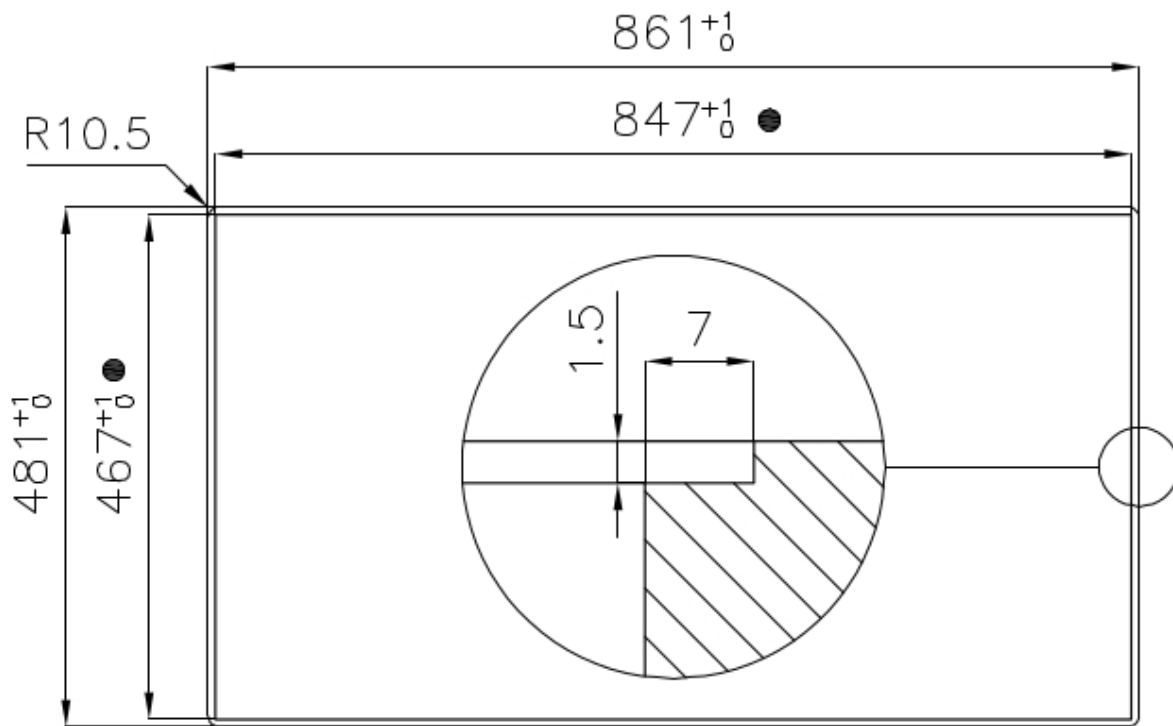
Deep bowls

This bowls reach an important depth, over 20 cm, thanks to the advanced production technology, that can be offer great capieny and practicity in all the washing operations.

TECHNICAL DATA



Cut out size – Dimensioni per foratura top



- Built-in cut out for FTS – Foratura per installazione FTS

GALLERY



EQUIPMENT



Space automatic waste fitting
8407108

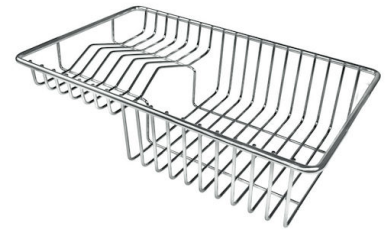
OPTIONAL ACCESSORIES



HPDE twin chopping board
8644 100



Iroko-wood sliding chopping board
8656 001



Stainless steel plate rack
8100 303



**Graters kit with ring-holder and
food collection tray**
8159 101



Stainless steel perforated tray
8151 000

RECOMMENDED PAIRINGS



Mixer Tap GK
8488 000